

To remove the drawer

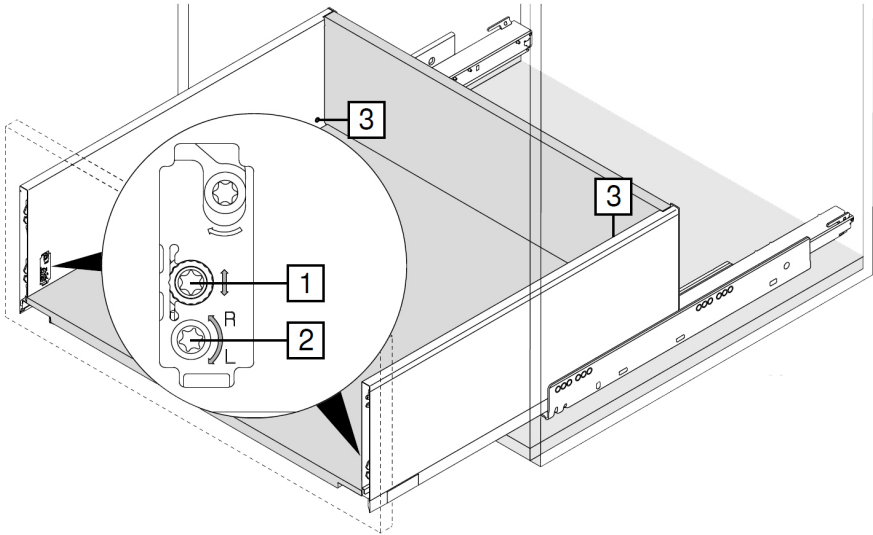
Empty the drawer before attempting to remove it.

- 1** To remove the drawer, open, then place both hands underneath on either side. Locate the plastic buttons (as pictured), and press firmly.
- 2** While holding the buttons, pull the drawer towards your body and lift upwards.

To replace the drawer

To replace drawer, sit the drawer on the runners, then gently push inwards until you hear a 'click'.

Blum Legra Drawers



1 Height adjustment of drawer front

Locate the pictured screws (1) on the internal part of the side panels (both sides). Using a screw driver, turn screws anticlockwise to adjust the height of the drawer upwards, and clockwise to adjust the height downwards.

2 Sideways adjustment of drawer front

Locate the pictured screws (2) on the internal part of the side panels (both sides). Using a screw driver, turn the screws anticlockwise to move the drawer front to the right (R), or clockwise to move the drawer front to the left (L).

3 Tilt adjustment of drawer front

Locate pictured screws (3) on the back internal corners of the drawer (both sides). Turn the screws clockwise to bring the bottom of the drawer front toward you. Turn the screws anticlockwise to send the bottom of the drawer front away from you/toward the cabinetry.

