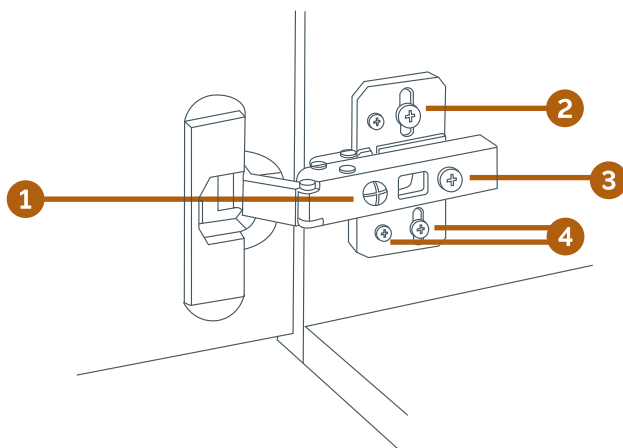


Over time, your doors may shift or sag. This does not mean that the hinges have worn out — they simply need adjusting. Hettich hardware is guaranteed with a lifetime warranty.

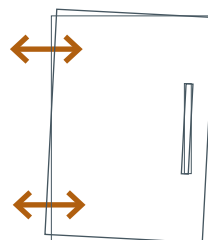


1 Sideways / tilt adjustment

Turn the screw:

↻ **clockwise** to move the door further away from the side of the cabinet

↻ **anticlockwise** to move the door closer to the side of the cabinet

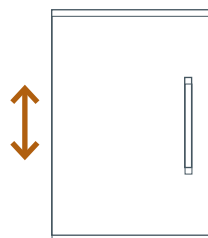


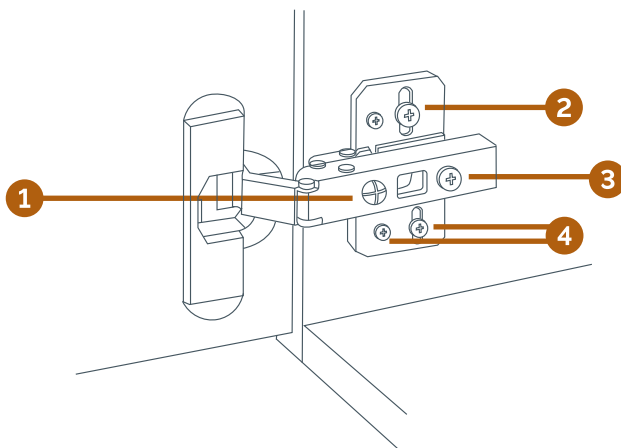
2 4 Height adjustment

While supporting the weight of the door, turn the screws:

↻ **clockwise** to move the door up

↻ **anticlockwise** to move the door down





3 Forward and back adjustment

If the gap between the back of the door and the cabinet is too small, the door may not close fully.

Turn the screw:

↻ **clockwise** to decrease the gap between the door and the cabinet

↺ **anticlockwise** to increase the gap between the door and the cabinet

